

DS-2TD2617B-6/PA Thermographic Bullet Camera

DeepinView^{series}



- 160 × 120 Resolution in Thermal Channel, High Sensitivity Sensor
- Accuracy: ±0.9° F (±0.5° C) at 4.92 ft to 9.84 ft (1.5 m to 3 m)
- Reliable Temperature Exception Alarm Function
- 3D DNR, Image Detail Enhancement
- White Light and Audio Alarm

Hikvision DS-2TD2617B-6/PA Thermographic Bullet Cameras are equipped with highly sensitive thermal and optical sensors and a graphical processing unit to run the video content analysis (VCA) algorithms developed by Hikvision's deep learning technology.

The sensor's 160 x 120 resolution is upscaled to 320 x 240 and features adaptive AGC (Automatic Gain Control), 3D DNR (Digital Noise Reduction), and Digital Detail Enhancement for outstanding image enhancement. The 4 MP optical sensor provides outstanding color video in very dim environments down to 0.0089 lux, and built-in IR illumination allows black and white optical surveillance in zero-light conditions up to 131 ft (40 m).

This camera series is able to measure an object's temperature at a high accuracy in real time. It is suitable for use in areas that require greater security measures such as airports.

Available models:

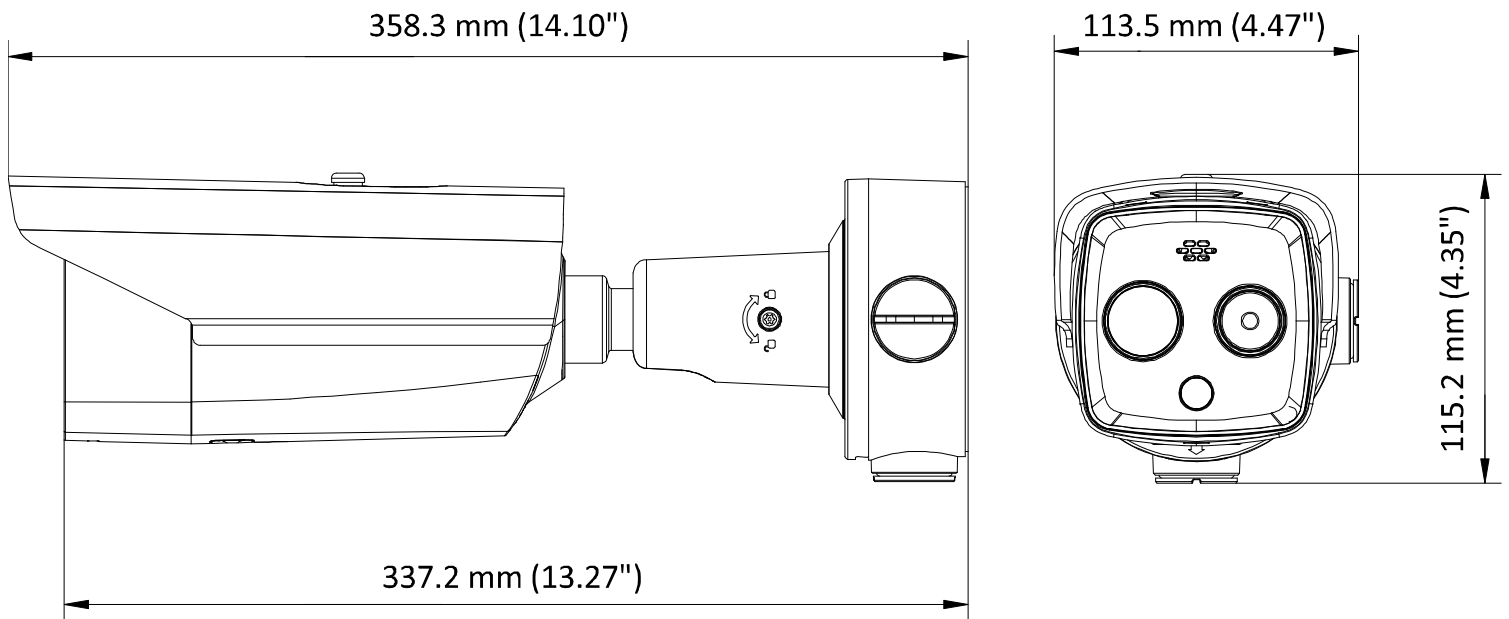
DS-2TD2617B-6/PA








Specifications

DS-2TD2617B-6/PA	
Thermal Module	
Image Sensor	Vanadium oxide uncooled focal plane arrays
Maximum Resolution	160 x 120 (output image resolution is 320 x 240)
Pixel Interval	17 μ m
Response Waveband	8 μ m to 14 μ m
NETD (Noise Equivalent Temperature Difference)	\leq 40 mk (@ 25° C, F# = 1.1)
Lens (Focal Length)	6.2 mm
IFOV	2.74 mrad
Field of View	25° x 18.7° (H x V)
Minimum Focusing Distance	1.97 ft (0.6 m)
Aperture	f/1.1
Optical Module	
Maximum Image Resolution	2688 x 1520
Image Sensor	1/2.7" progressive scan CMOS
Minimum Illumination	Color: 0.0089 lux @ (f/1.6, AGC on), B/W: 0.0018 lux @ (f/1.6, AGC on)
Shutter Speed	1 s to 1/100,000 s
Lens (Focal Length)	8 mm
Field of View	39.42° x 22.14° (H x V)
WDR	120 dB
Day/Night	IR cut filter with auto switch
Image Function	
Bi-Spectrum Image Fusion	Fusion view of thermal view and overlaid details of the optical channel
Picture-in-Picture	Combines details of thermal and optical image PIP, overlay thermal image on optical image
Smart Function	
Temperature Measurement	3 temperature measurement rule types, 21 rules in total (10 points, 10 areas, and 1 line)
Temperature Accuracy	\pm 0.9° F (\pm 0.5° C) at 4.92 ft to 9.84 ft (1.5 m to 3 m)
Infrared	
IR Distance	Up to 131 ft (40 m)
IR Intensity and Angle	Automatically adjusted
Network	
Main Stream	Optical: 30 fps (2688 x 1520, 1920 x 1080, 1280 x 720) Thermal: 25 fps (1280 x 720, 704 x 576, 640 x 480, 352 x 288, 320 x 240)
Sub-Stream	Optical: 30 fps (704 x 480, 352 x 240, 176 x 120) Thermal: 25 fps (704 x 576, 352 x 288, 320 x 240)
Video Compression	H.265/H.264/MJPEG
Audio Compression	G.711u/G.711a/G.722.1/MP2L2/G.726/PCM
Protocols	IPv4/IPv6, HTTP, HTTPS, 802.1x, QoS, FTP, SMTP, UPnP, SNMP, DNS, DDNS, NTP, RTSP, RTCP, RTP, TCP, UDP, IGMP, ICMP, DHCP, PPPoE
Simultaneous Live Views	Up to 20
User/Host Level	Up to 32 users, 3 levels: administrator, operator, user
Security Measures	User authentication (ID and PW), MAC address binding, HTTPS encryption, IEEE 802.1x, access control, IP address filtering
Integration	
Alarm Input	2-ch inputs (0–5 VDC)
Alarm Output	2-ch relay outputs, alarm response actions configurable
Alarm Action	SD recording/relay output/smart capture/FTP upload/e-mail linkage/audio alarm/white light alarm
Audio Input	1 x 3.5 mm mic in/line in interface, line input: 2 to 2.4 V [p-p], output impedance: 1K Ω \pm 10%
Audio Output	Linear level, impedance: 600 Ω
Reset	1 x reset button
Communication Interface	1 x RJ-45 10M/100M self-adaptive Ethernet interface, 1 x RS-485 interface
SD Memory Card	Built-in card slot supports microSD/SDHC/SDXC card (up to 128 GB), supports manual/alarm recording
Analog Video Output	1.0 V [p-p]/75 Ω , BNC, PAL/NTSC
Application Programming	Open-ended API, supports ISAPI, HIKVISION SDK and third-party management platform
Client	iVMS-4200, Hik-Connect
Web Browser	IE 9+, Chrome 31–44, Firefox 30–51, Safari 5.02+ (Mac)
General	
Menu Language	32 languages: English, Russian, Estonian, Bulgarian, Hungarian, Greek, German, Italian, Czech, Slovak, French, Polish, Dutch, Portuguese, Spanish, Romanian, Danish, Swedish, Norwegian, Finnish, Croatian, Slovenian, Serbian, Turkish, Korean, Traditional Chinese, Thai, Vietnamese, Japanese, Latvian, Lithuanian, Portuguese (Brazil)
Power	12 VDC \pm 20%, two-core terminal block PoE (802.3af, class 3)
Power Consumption	12 VDC \pm 20%: 0.65 A, maximum 7.5 W PoE (802.3af, class 3): 42.5 V to 57 V, 0.14 A to 0.22 A, maximum 8 W
Working Temperature/Humidity	Temperature: 50° to 95° F (10° to 35° C), indoor and windless environment use only Humidity: 95% or less (non-condensing)
Protection Level	IP66 standard TVS 6000 V lightning protection, surge protection, voltage transient protection
Dimensions	14.10" x 4.47" x 4.53" (358.3 mm x 113.5 mm x 115.2 mm)
Weight	Approximately 3.88 lb (1.76 kg)

Dimensions



Accessories

NOT INCLUDED				INCLUDED
				
PM Pole Mount	CM Corner Mount	DS-207ZJ Tripod	DS-2909ZJ Bullet Tripod Adapter	CB130 Conduit Base